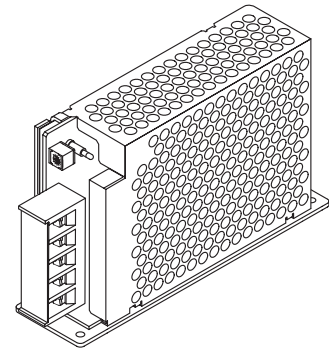


# ■ PB · PMA · PDA Series Attachment

BASE Attachment

Plate model	Applicable models
F-PBA10-1	PBA10F
F-PBA15-1	PBA15F, PBW15F, PDA15F
F-PBA30-1	PBA30F, PBW30F, PMA15F, PDA30F
F-PBA50-1	PBA50F, PBW50F, PMA30F, PDA50F
F-PBA75-1	PBA75F, PMA60F
F-PBA100-1	PBA100F
F-PBA150-1	PBA150F, PMA100F

Example



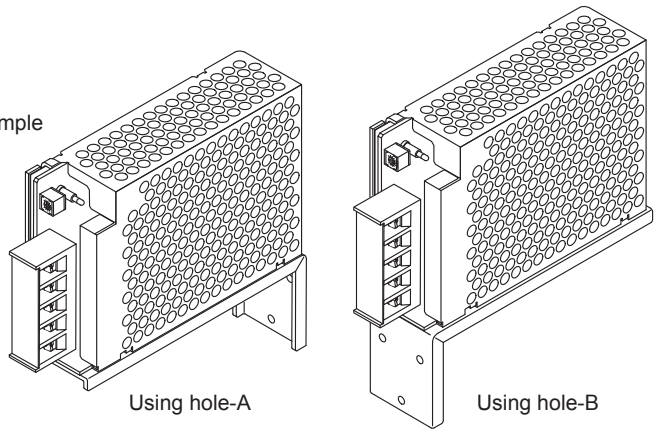
< TOP VIEW > (Unit : mm) (Tolerance : ±1)

<p><b>F-PBA10-1</b></p> <p>Size</p> <ul style="list-style-type: none"> <li>* Material : SECC</li> <li>* Thickness : 2.0</li> <li>* Weight : 60g max</li> </ul>	<p><b>F-PBA15-1</b></p> <p>Size</p> <ul style="list-style-type: none"> <li>* Material : SECC</li> <li>* Thickness : 2.0</li> <li>* Weight : 70g max</li> </ul>
<p>* M3 Flat screw is requested when mounting. Please check catalog for the size of screw.</p>	
<p>Mounting hole size</p> <p>FRONT ←</p>	<p>Mounting hole size</p> <p>FRONT ←</p>
<p><b>F-PBA30-1</b></p> <p>Size</p> <ul style="list-style-type: none"> <li>* Material : SECC</li> <li>* Thickness : 2.0</li> <li>* Weight : 85g max</li> </ul>	<p><b>F-PBA50-1</b></p> <p>Size</p> <ul style="list-style-type: none"> <li>* Material : SECC</li> <li>* Thickness : 2.0</li> <li>* Weight : 95g max</li> </ul>
<p>* M3 Flat screw is requested when mounting. Please check catalog for the size of screw.</p>	
<p>Mounting hole size</p> <p>FRONT ←</p>	<p>Mounting hole size</p> <p>FRONT ←</p>

FRONT · REVERSE  
Attachment

Plate model	Applicable models
F-PBA10-2	PBA10F
F-PBA15-2	PBA15F, PBW15F, PDA15F
F-PBA30-2	PBA30F, PBW30F, PMA15F, PDA30F
F-PBA50-2	PBA50F, PBW50F, PMA30F, PDA50F
F-PBA75-2	PBA75F, PMA60F
F-PBA100-2	PBA100F
F-PBA150-2	PBA150F, PMA100F

Example



Using hole-A

Using hole-B

< TOP VIEW > (Unit : mm) (Tolerance : ±1)

<p>Size</p> <p>★ Material : SECC ★ Thickness : 1.6 ★ Weight : 60g max</p>	<p>Size</p> <p>★ Material : SECC ★ Thickness : 1.6 ★ Weight : 70g max</p>
<p>★ M3 screw is requested when mounting. Please check catalog for the size of screw.</p>	
<p>Size</p> <p>★ Material : SECC ★ Thickness : 1.6 ★ Weight : 80g max</p>	<p>Size</p> <p>★ Material : SECC ★ Thickness : 2.0 ★ Weight : 120g max</p>
<p>★ M3 screw is requested when mounting. Please check catalog for the size of screw.</p>	