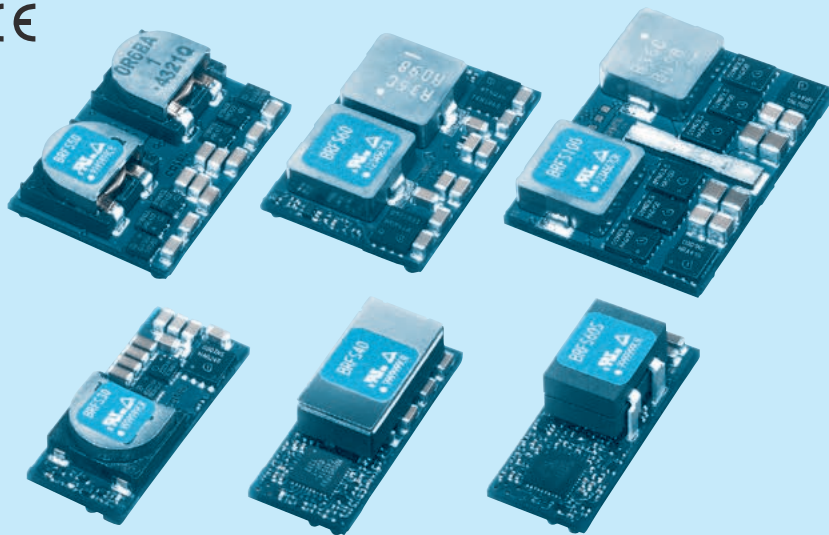
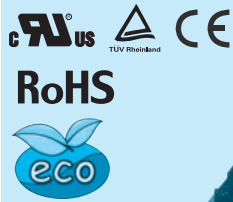


BRFS

BRF S 50 L - □

① ② ③ ④ ⑤



- ① Series name
- ② Single output
- ③ Output current
30:30A
40:40A
50:50A
60:60A
100:100A
- ④ Type
Blank : Standard type
L : Low profile type (only 50A)
S : Small type (only 60A)
- ⑤ Optional
R : Positive logic remote on/off
I : POWERGOOD (only BRFS30/40/60S)
*Other models has POWERGOOD function normally.
P : Parallel operation (only BRFS40/60S)
Y1: Fast transient response (only BRFS100)

MODEL	BRFS30	BRFS40	BRFS50	BRFS50L	BRFS60	BRFS60S	BRFS100
MAX OUTPUT CURRENT[A]	30.0	40.0	50.0	50.0	60.0	60.0	100.0
DC OUTPUT	0.8 - 3.63V	0.6 - 2.0V	0.7 - 2.0V	0.7 - 2.0V	0.7 - 2.0V	0.6 - 2.0V	0.7 - 2.0V

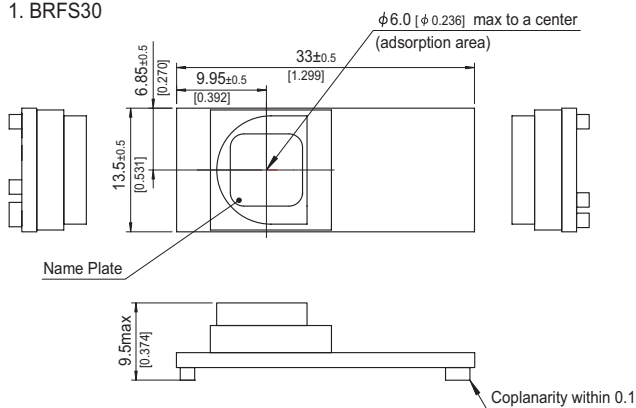
SPECIFICATIONS

	MODEL	BRFS30	BRFS40	BRFS50	BRFS50L	BRFS60	BRFS60S	BRFS100	
INPUT	VOLTAGE[V]	DC4.5 - 14.0							
	CURRENT[A]	*1 3.41 typ	4.52 typ	5.68 typ	5.68 typ	6.82 typ	6.71 typ	11.24 typ	
	EFFICIENCY[%]	*1 88 typ	88.5 typ	88 typ	88 typ	88 typ	89.5 typ	89 typ	
OUTPUT	VOLTAGE[V]	*2 0.8 - 3.63	0.6 - 2.0	0.7 - 2.0	0.7 - 2.0	0.7 - 2.0	0.6 - 2.0	0.7 - 2.0	
	CURRENT[A]	30	40	50	50	60	60	100	
	LINE REGULATION[mV]	5							
	LOAD REGULATION[mV]	5							
	RIPPLE[mVp-p]	*3 25							
	RIPPLE NOISE[mVp-p]	*3 50							
	OUTPUT VOLTAGE SETTING [%Vo]	±1							
	DRIFT[mV]	*4 5							
	START-UP TIME[ms]	8.0 typ					12.0 typ *6		8.0 typ
	OUTPUT VOLTAGE ADJUSTMENT RANGE [V]	Adjustable by external resistor							
	0.8 - 3.63	0.6 - 2.0	0.7 - 2.0	0.7 - 2.0	0.7 - 2.0	0.6 - 2.0	0.7 - 2.0		
OUTPUT VOLTAGE TOTAL REGULATION [%Vo]*5	±3								
PROTECTION CIRCUIT AND OTHERS	OVERCURRENT PROTECTION	Works over 105% of rating (auto recovery type)							
	REMOTE SENSING	Available (+S only)			Available		Available (+S only)		Available
	REMOTE ON/OFF	Available Negative logic L:ON, H:OFF							
ISOLATION	INPUT-OUTPUT	non-isolated							
ENVIRONMENT	OPERATING TEMP., HUMID. AND ALTITUDE	-40 to +85°C, 20-95%RH (Non condensing) (Refer to DERATING CURVE) 3,000m (10,000feet) max							
	STORAGE TEMP., HUMID. AND ALTITUDE	-40 to +100°C, 20-95%RH (Non condensing), 9,000m (30,000feet) max							
	VIBRATION	10-55Hz, 49.0m/s ² (5G), 3minutes period, 60minutes each along X, Y and Z axis							
	IMPACT	196.1m/s ² (20G), 11ms, once each along X, Y and Z axis							
SAFETY	AGENCY APPROVALS	UL60950-1, C-UL (CSA60950-1), EN60950-1							
OTHERS	CASE SIZE/WEIGHT	33.0X9.5X13.5mm [1.3X0.37X0.53 inches] (WXHXD) / 10g max	33.0X10.9X13.5mm [1.3X0.43X0.53 inches] (WXHXD) / 12g max	33.0X9.5X22.9mm [1.3X0.37X0.9 inches] (WXHXD) / 15g max	33.0X7.0X22.9mm [1.3X0.28X0.9 inches] (WXHXD) / 12g max	33.0X8.0X22.9mm [1.3X0.31X0.9 inches] (WXHXD) / 15g max	33.0X12.7X13.5mm [1.3X0.5X0.53 inches] (WXHXD) / 12g max	38.0X8.5X27.7mm [1.5X0.33X1.09 inches] (WXHXD) / 22g max	
	COOLING METHOD	Convection / Forced air							

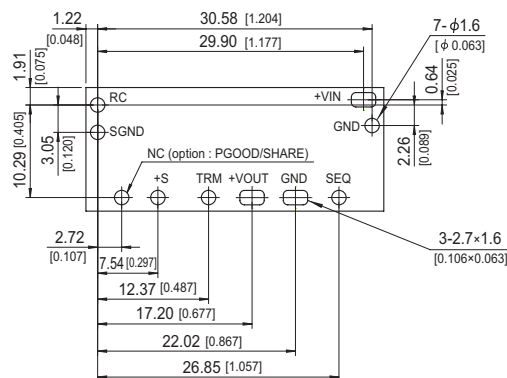
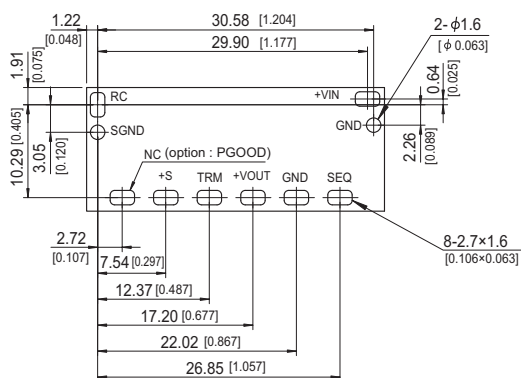
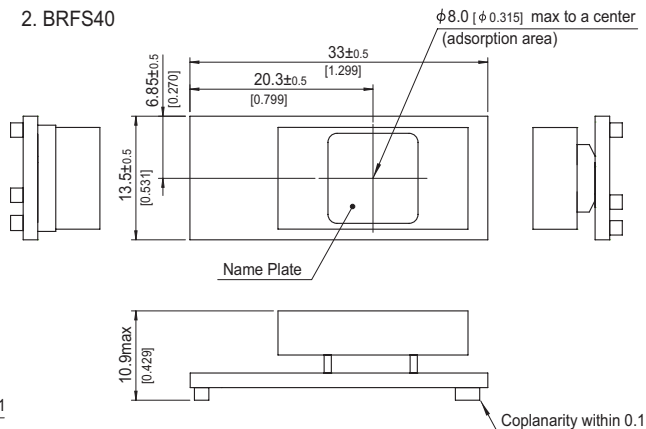
*1 At rated input (DC12V) and rated output (1.2V) Ta=25°C.
 *2 Output voltage is adjusted to the minimum when TRM is opened.
 *3 Ripple and ripple noise is measured by using measuring board with ceramic capacitor at 50mm from output pin.
 *4 Drift is the change in DC output for an eight hour period after a half - hour warm - up at 25°C, with the input voltage held.
 *5 Output voltage setting is added line regulation and load regulation and temperature regulation used resistance of the 0.5% tolerance.
 *6 The start-up time when using the RC terminal is same as other BRFS.

External view

1. BRFS30

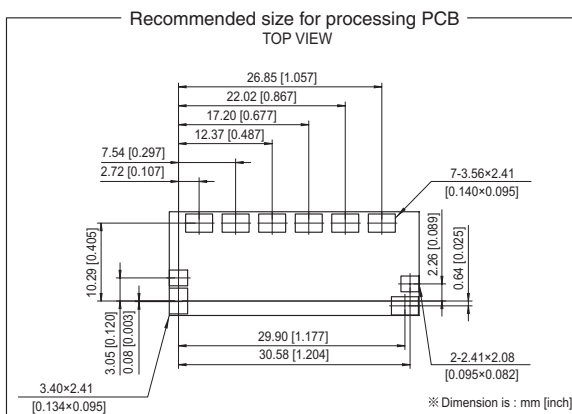


2. BRFS40



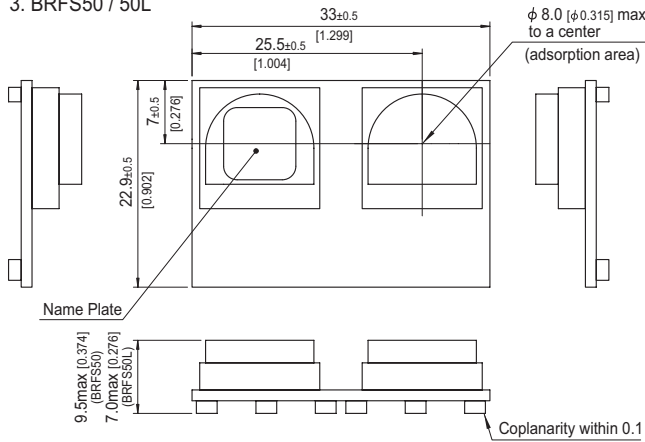
- ※ Tolerance : ± 0.3 [± 0.012]
- ※ Dimensions in mm, []=inches
- ※ Weight : 10g max
- ※ Terminal material : copper
- ※ Plating treatment of terminal : Lead free plating

- ※ Tolerance : ± 0.3 [± 0.012]
- ※ Dimensions in mm, []=inches
- ※ Weight : 12g max
- ※ Terminal material : copper
- ※ Plating treatment of terminal : Lead free plating

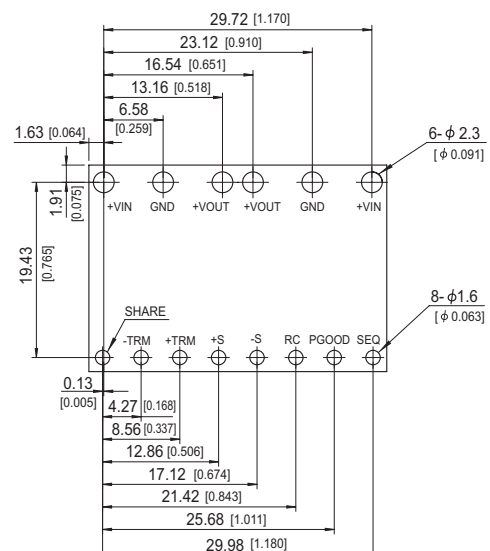
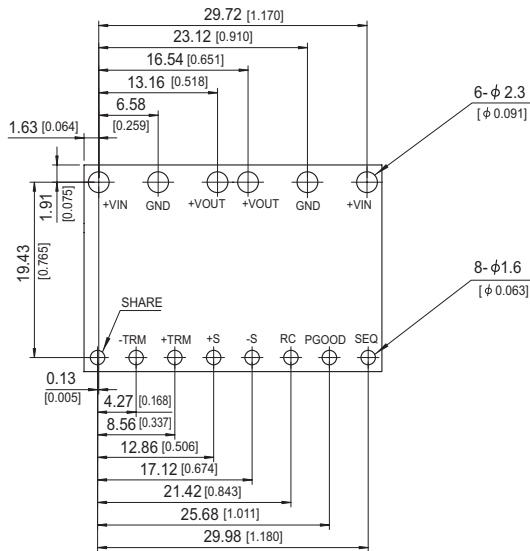
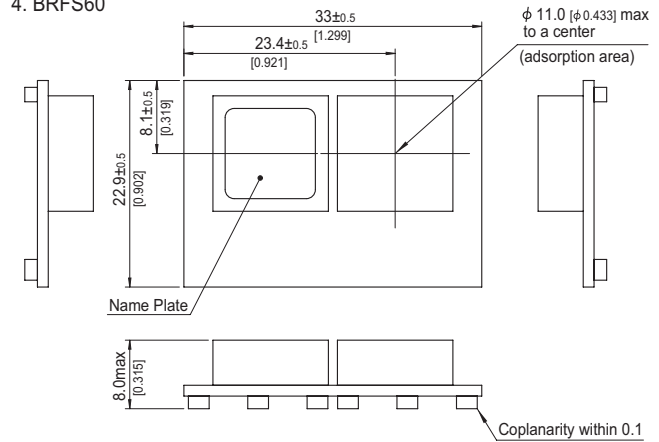


External view

3. BRFS50 / 50L

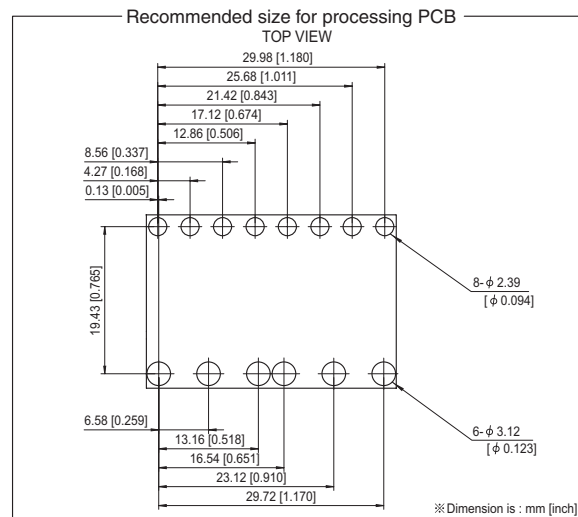


4. BRFS60



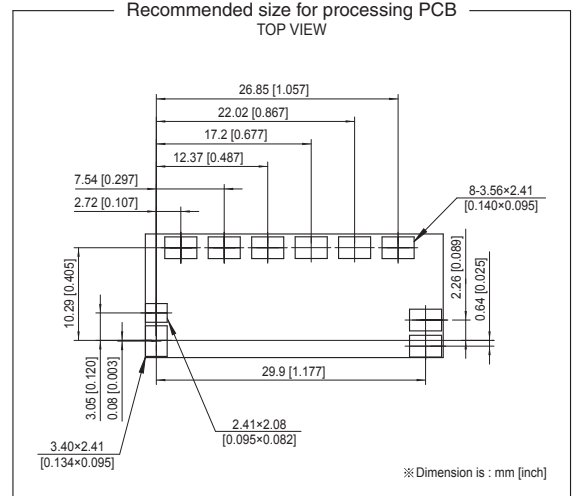
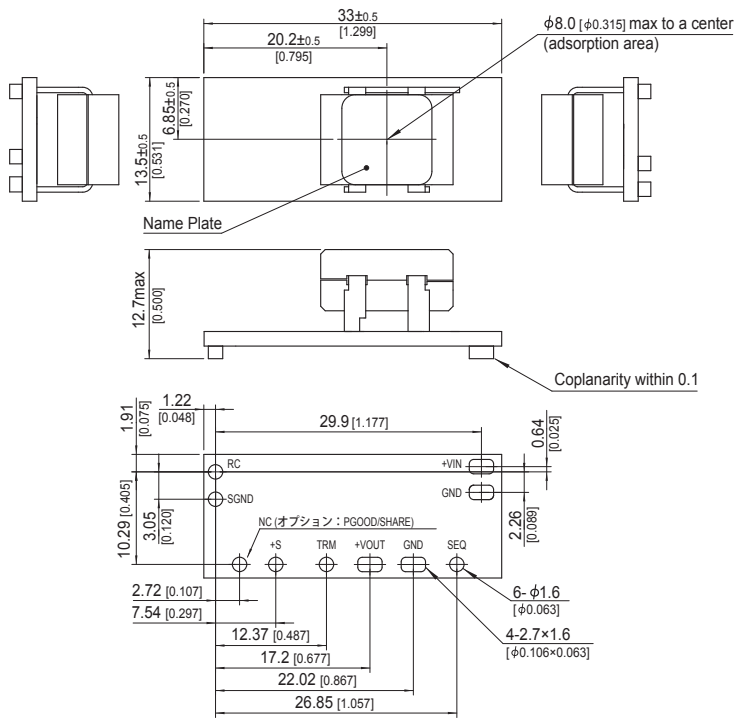
- ※ Tolerance : ±0.3 [±0.012]
- ※ Dimensions in mm, []=inches
- ※ Weight : 15g max (BRFS50)
12g max (BRFS50L)
- ※ Terminal material : copper
- ※ Plating treatment of terminal : Lead free plating

- ※ Tolerance : ±0.3 [±0.012]
- ※ Dimensions in mm, []=inches
- ※ Weight : 15g max
- ※ Terminal material : copper
- ※ Plating treatment of terminal : Lead free plating



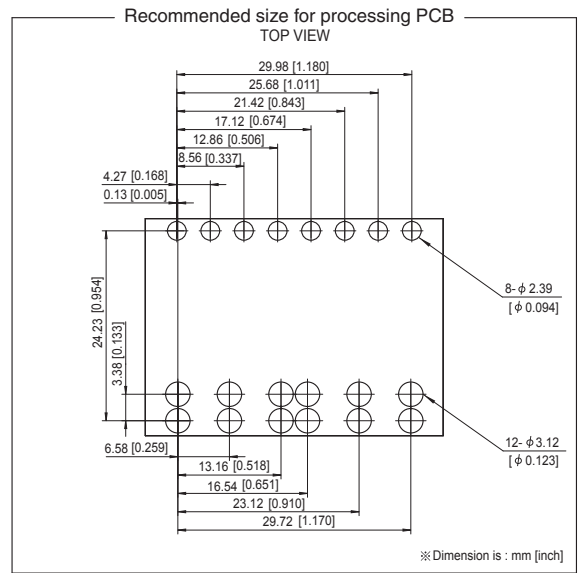
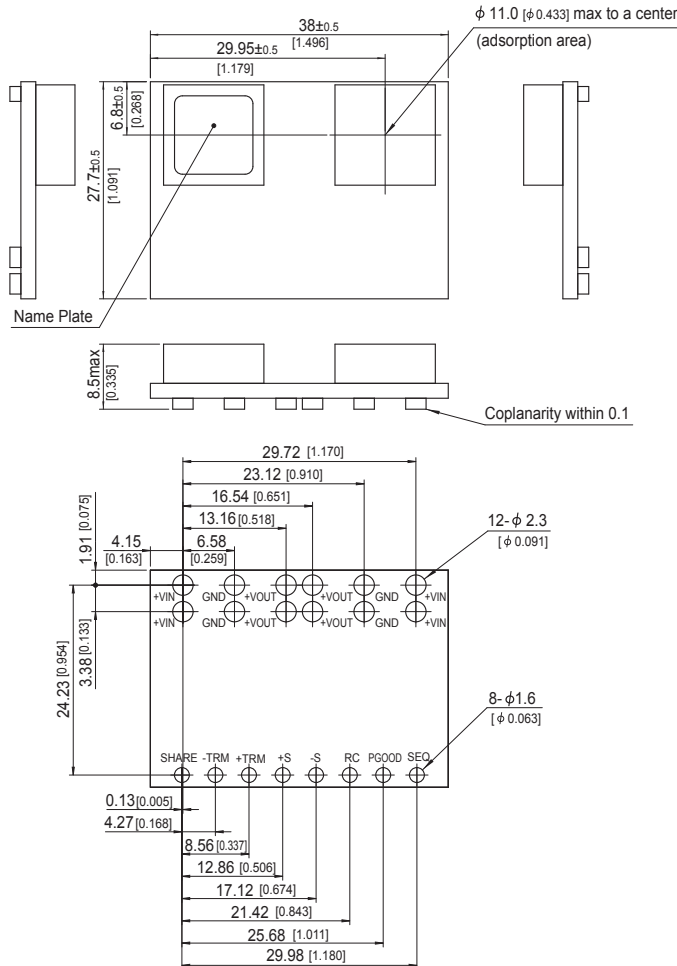
External view

5. BRFS60S



- ※ Tolerance : ± 0.3 [± 0.012]
- ※ Dimensions in mm, []=inches
- ※ Weight : 12g max
- ※ Terminal material : copper
- ※ Plating treatment of terminal : Lead free plating

6. BRFS100



- ※ Tolerance : ± 0.3 [± 0.012]
- ※ Dimensions in mm, []=inches
- ※ Weight : 22g max
- ※ Terminal material : copper
- ※ Plating treatment of terminal : Lead free plating