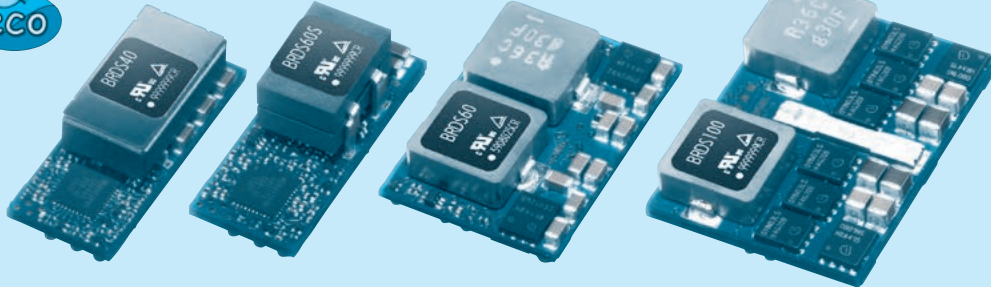


# BRDS

BRD S 100  -

① ② ③ ④ ⑤



- ① Series name
- ② Single output
- ③ Output current  
40:40A  
60:60A  
100:100A
- ④ Type  
Blank : Standard type  
S : Small type (Only 60A)
- ⑤ Optional  
R : Positive logic remote on/off

MODEL	BRDS40	BRDS60	BRDS60S	BRDS100
MAX OUTPUT CURRENT[A]	40.0	60.0	60.0	100.0
DC OUTPUT	0.6 - 2.0V	0.7 - 2.0V	0.6 - 2.0V	0.7 - 2.0V

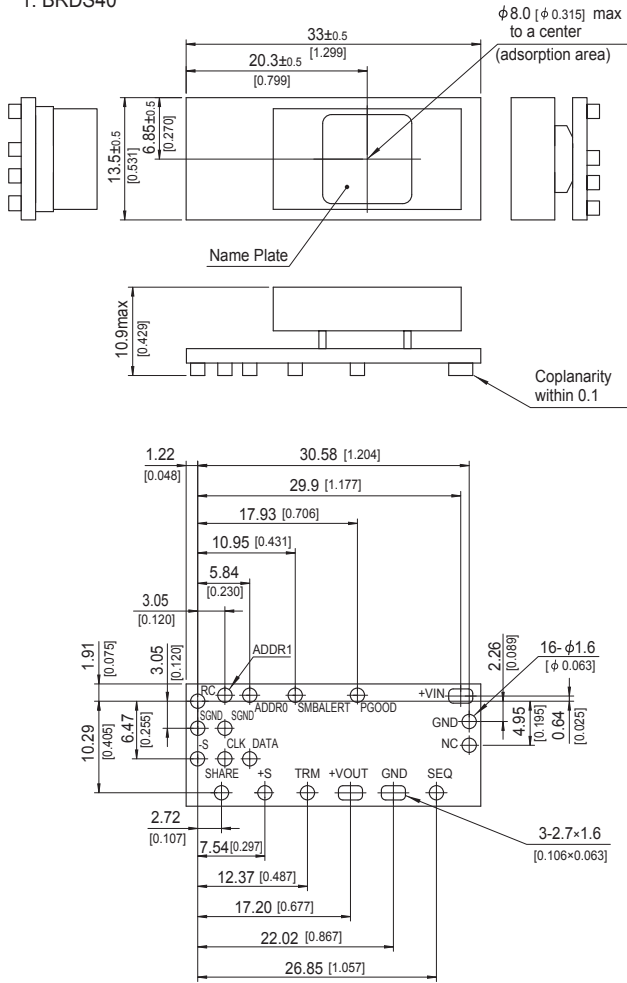
## SPECIFICATIONS

	MODEL	BRDS40	BRDS60	BRDS60S	BRDS100
INPUT	VOLTAGE[V]	DC4.5 - 14.0			
	CURRENT[A]	*1 4.52 typ	6.82 typ	6.71 typ	11.24 typ
	EFFICIENCY[%]	*1 88.5 typ	88 typ	89.5 typ	89 typ
OUTPUT	VOLTAGE[V]	*2 0.6 - 2.0	0.7 - 2.0	0.6 - 2.0	0.7 - 2.0
	CURRENT[A]	40	60	60	100
	LINE REGULATION[mV]	5			
	LOAD REGULATION[mV]	5			
	RIPPLE[mVp-p]	*3 25			
	RIPPLE NOISE[mVp-p]	*3 50			
	OUTPUT VOLTAGE SETTING [%Vo]	±1			
	DRIFT[mV]	*4 5			
	START-UP TIME[ms]	12.0 typ			
	OUTPUT VOLTAGE ADJUSTMENT RANGE [V]	Adjustable by external resistor			
PROTECTION CIRCUIT AND OTHERS	OVERCURRENT PROTECTION	Works over 105% of rating (auto recovery type)			
	REMOTE SENSING	Available			
ISOLATION	REMOTE ON/OFF	Available Negative logic L:ON, H:OFF			
	INPUT-OUTPUT	non-isolated			
ENVIRONMENT	OPERATING TEMP., HUMID. AND ALTITUDE	-40 to +85°C, 20-95%RH (Non condensing) (Refer to DERATING CURVE) 3,000m (10,000feet) max			
	STORAGE TEMP., HUMID. AND ALTITUDE	-40 to +100°C, 20-95%RH (Non condensing), 9,000m (30,000feet) max			
	VIBRATION	10-55Hz, 49.0m/s <sup>2</sup> (5G), 3minutes period, 60minutes each along X, Y and Z axis			
	IMPACT	196.1m/s <sup>2</sup> (20G), 11ms, once each along X, Y and Z axis			
SAFETY	AGENCY APPROVALS	UL60950-1, C-UL (CSA60950-1), EN60950-1			
OTHERS	CASE SIZE/WEIGHT	33.0 × 10.9 × 13.5mm [1.3 × 0.43 × 0.53 inches] (W × H × D) / 12g max	33.0 × 8.0 × 22.9mm [1.3 × 0.31 × 0.9 inches] (W × H × D) / 15g max	33.0 × 12.7 × 13.5mm [1.3 × 0.5 × 0.53 inches] (W × H × D) / 12g max	38.0 × 8.5 × 27.7mm [1.5 × 0.33 × 1.09 inches] (W × H × D) / 22g max
	COOLING METHOD	Convection / Forced air			

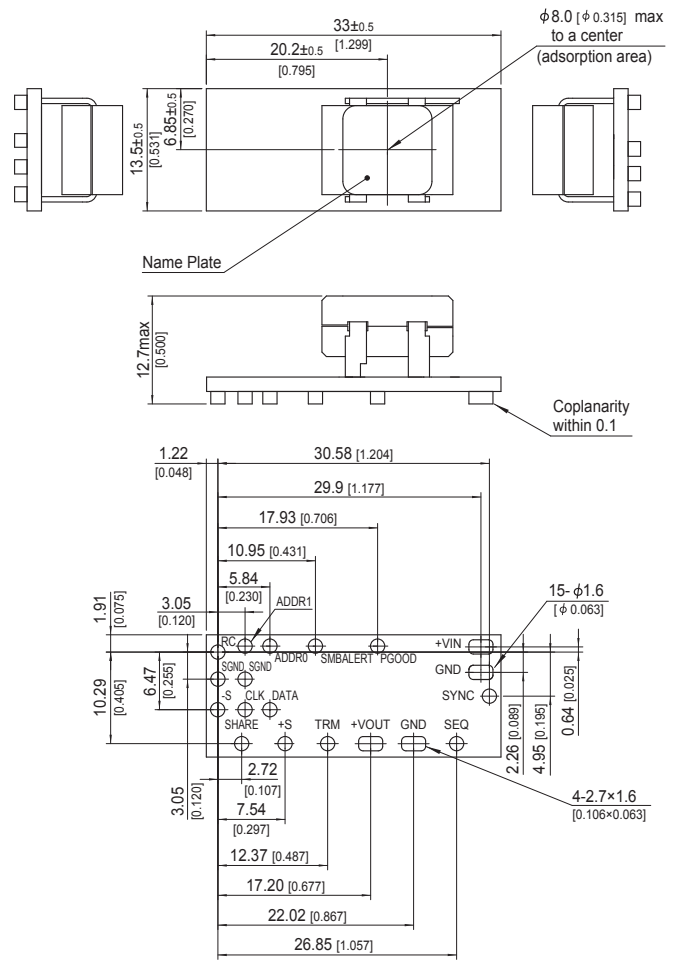
\*1 At rated input (DC12V) and rated output (1.2V) Ta=25°C.  
 \*2 Output voltage is adjusted to the minimum when TRM is opened.  
 \*3 Ripple and ripple noise is measured by using measuring board with ceramic capacitor at 50mm from output pin.  
 \*4 Drift is the change in DC output for an eight hour period after a half - hour warm - up at 25°C, with the input voltage held.  
 \*5 Output voltage setting is added line regulation and load regulation and temperature regulation used resistance of the 0.5% tolerance.  
 \* This product is subject to a license from PAI Capital LLC related to digital power technology patents owned by PAI Capital LLC.

External view

1. BRDS40

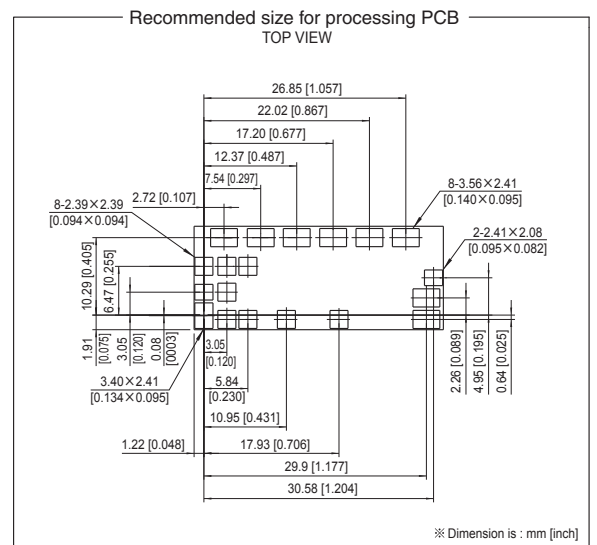
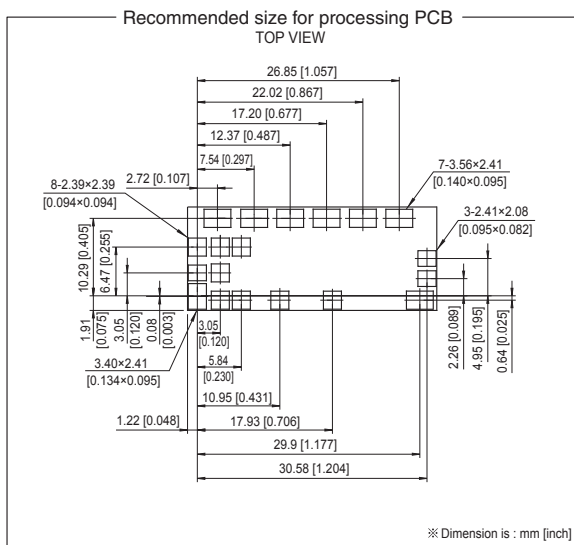


2. BRDS60S



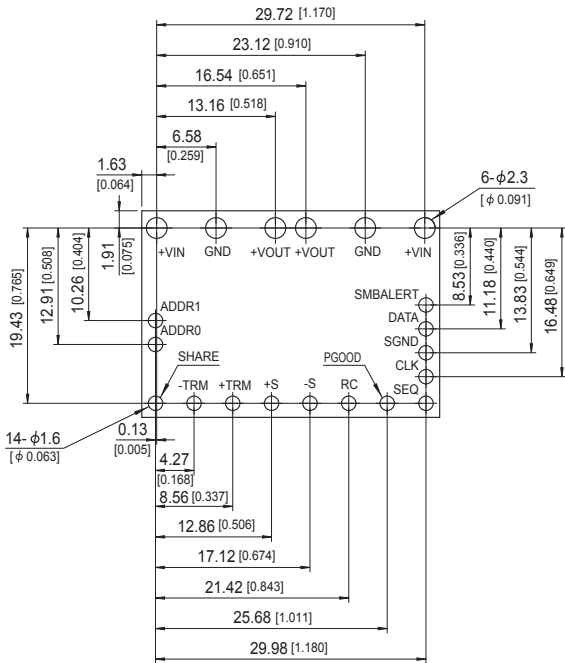
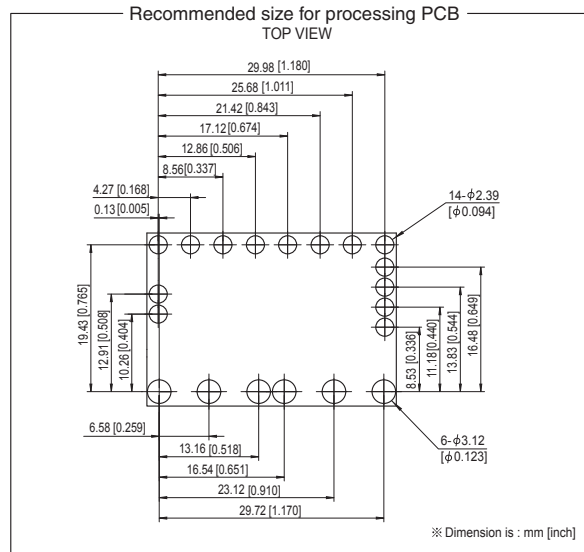
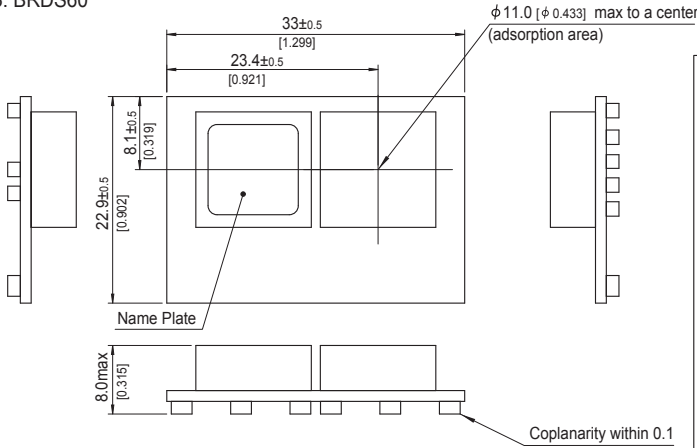
- ※ Tolerance : ±0.3 [±0.012]
- ※ Dimensions in mm, [ ]=inches
- ※ Weight : 12g max
- ※ Terminal material : copper
- ※ Plating treatment of terminal : Lead free plating

- ※ Tolerance : ±0.3 [±0.012]
- ※ Dimensions in mm, [ ]=inches
- ※ Weight : 12g max
- ※ Terminal material : copper
- ※ Plating treatment of terminal : Lead free plating



External view

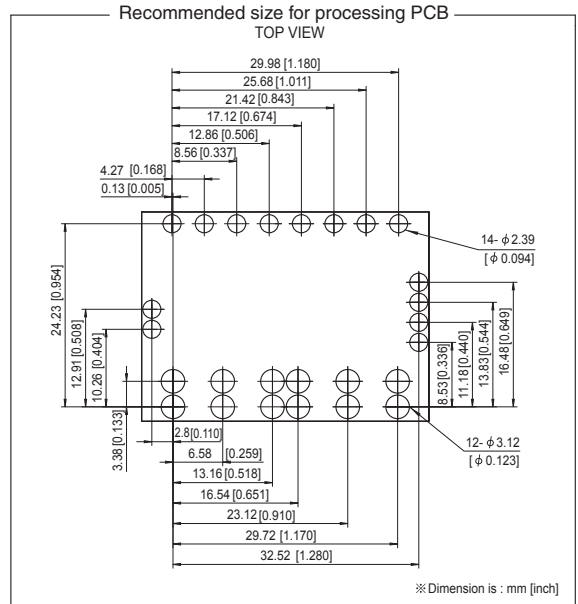
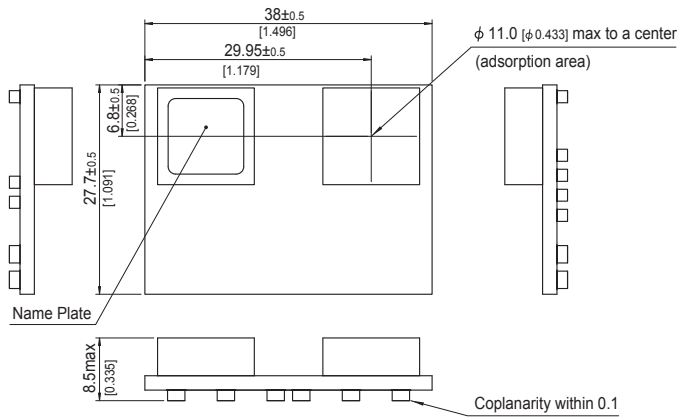
3. BRDS60



- ※ Tolerance : ±0.3 [±0.012]
- ※ Dimensions in mm, [ ]=inches
- ※ Weight : 15g max
- ※ Terminal material : copper
- ※ Plating treatment of terminal : Lead free plating

External view

4. BRDS100



- ※ Tolerance :  $\pm 0.3$  [ $\pm 0.012$ ]
- ※ Dimensions in mm, [ ] =inches
- ※ Weight : 22g max
- ※ Terminal material : copper
- ※ Plating treatment of terminal : Lead free plating

