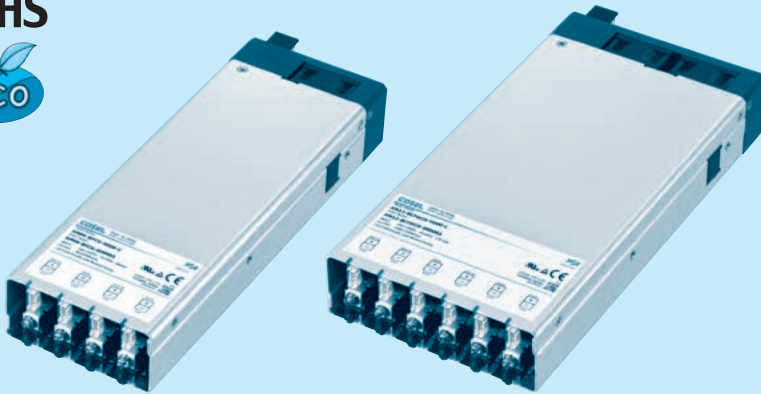
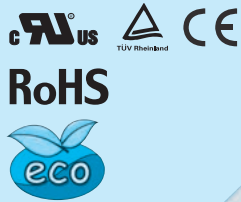


AME series

AM - -

① ② ③ ④ ⑤ ⑥ ⑦ ⑧ ⑨ ⑩

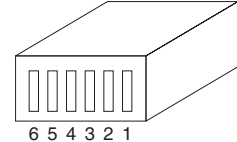


Example recommended EMI/EMC filter
 AME600F NAC-10-472
 AME1200F NAC-20-472



High voltage pulse noise type : NAP series
 Low leakage current type : NAM series
 * A higher current rating EMI/EMC filter may be recommended in view of the other devices that could be connected in parallel with the power supply.

- ① Abbreviation series name of AME series
- ② Abbreviation power of AME series
06 : AME600F
12 : AME1200F
- ③ Slot 6 Output module
- ④ Slot 5 Output module
- ⑤ Slot 4 Output module
- ⑥ Slot 3 Output module
- ⑦ Slot 2 Output module
- ⑧ Slot 1 Output module
- ⑨ Parallel code
- ⑩ Series code



Slot

- * The number of slot is different depending on the model.
- * Empty slot is code:O

The AME series has Order Name which is used for the ordering aside from Model Name. Please contact us for the detail.

* Make sure necessary tests will be carried out on your end equipment with the power supply installed in accordance with any required EMC/EMI regulations.

SPECIFICATIONS

	MODEL	AME600F	AME1200F	
INPUT	VOLTAGE [VAC]	85-264 1 φ		
	FREQUENCY [Hz]	50/60 (45 - 66)		
	INRUSH CURRENT [A]	ACIN 100V	15typ	15typ
		ACIN 230V	35typ	35typ
	LEAKAGE CURRENT [mA]	0.30max (ACIN 240V 60Hz, Io = 100%, According to IEC60601-1)		
OUTPUT	NUMBER OF SLOT	4	6	
	TOTAL OUTPUT [W]	AC90-150V	400	1000
		AC170-264V	600	1200
	START-UP TIME [ms]	800typ (ACIN 100V, Po = 100%)		
FUNCTION	AUXILIARY POWER (AUX)	5V1A		
	GLOBAL INHIBIT (GI)	Provided		
	ALARM (PR)	Provided		
ISOLATION	INPUT - OUTPUT	AC4,000V 1minute, Cutoff current = 10mA, DC500V 50MΩ min (At Room Temperature) 2MOPP		
	INPUT - FG	AC2,000V 1minute, Cutoff current = 10mA, DC500V 50MΩ min (At Room Temperature) 1MOPP		
	OUTPUT - FG	AC500V 1minute, Cutoff current = 100mA, DC500V 50MΩ min (At Room Temperature)		
	OUTPUT - RC, LV, AUX, PR, GI	AC500V 1minute, Cutoff current = 100mA, DC500V 50MΩ min (At Room Temperature)		
ENVIRONMENT	OPERATING TEMP., HUMIDITY, AND ALTITUDE	-20 to +70°C, 20 - 90%RH (Non condensing)		
	STORAGE TEMP., HUMIDITY, AND ALTITUDE	-20 to +75°C, 20 - 90%RH (Non condensing)		
	VIBRATION	10 - 55Hz 19.6m/s ² (2G) 3minutes period, 60minutes each along X, Y and Z axis		
	IMPUCT	196.1m/s ² (20G) 11ms, once each X, Y and Z axis		
SAFETY AND NOISE REGULATIONS	AGENCY APPROVALS	UL62368-1, C-UL (CAN/CSA-C22.2 No.62368-1), EN62368-1, ANSI/AAMI ES60601-1, C-UL (CAN/CSA-C22.2 No.60601-1), EN60601-1 3rd Complies with IEC60601-1-2 4th Ed.		
	CONDUCTED NOISE	Complies with FCC-B, VCCI-B, CISPR32-B, EN55011-B, EN55032-B		
	HARMONIC ATTENUATOR	Complies with IEC61000-3-2 (classA)		
OTHERS	CASE SIZE	89 × 41 × 257mm (W × H × D) [3.50 × 1.61 × 10.12 inches]	127 × 41 × 257mm (W × H × D) [5.00 × 1.61 × 10.12 inches]	
	WEIGHT [kg]	1.2max	1.8max	
	COOLING METHOD	Forced cooling (internal fan)		

*1 More than 3sec. restart interval is required. (Io=100%)

*2 Refer to instruction manual 5.3 Derating for detail.

*3 Each output module, RC, LV, AUX, PR, and GI are isolated.

*4 Case size contains neither the terminal blocks, screw nor other projections.

*5 Please contact us about other classes.

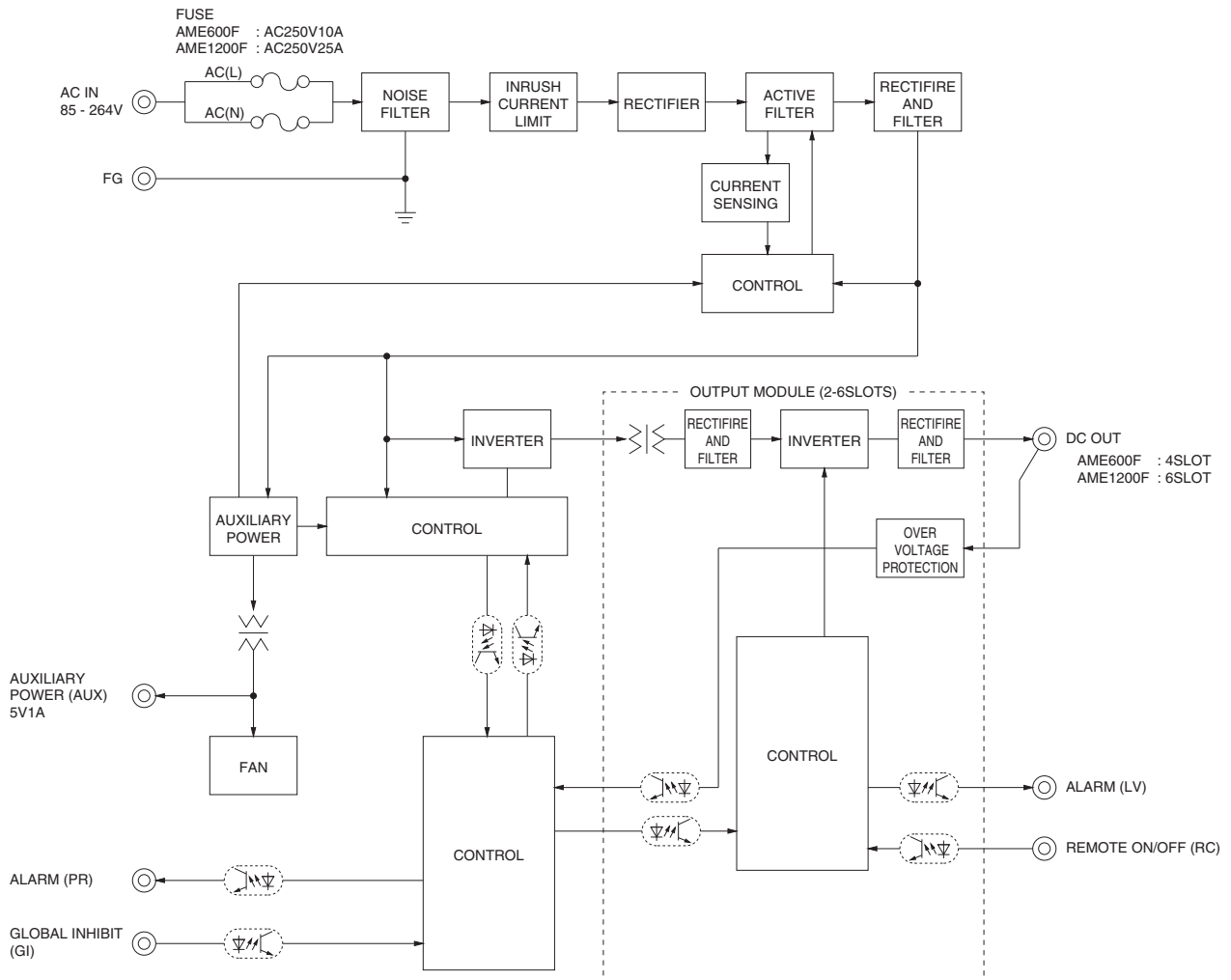
* The audible noise might be emitted from the power supply at the pulse load.

Output module specifications

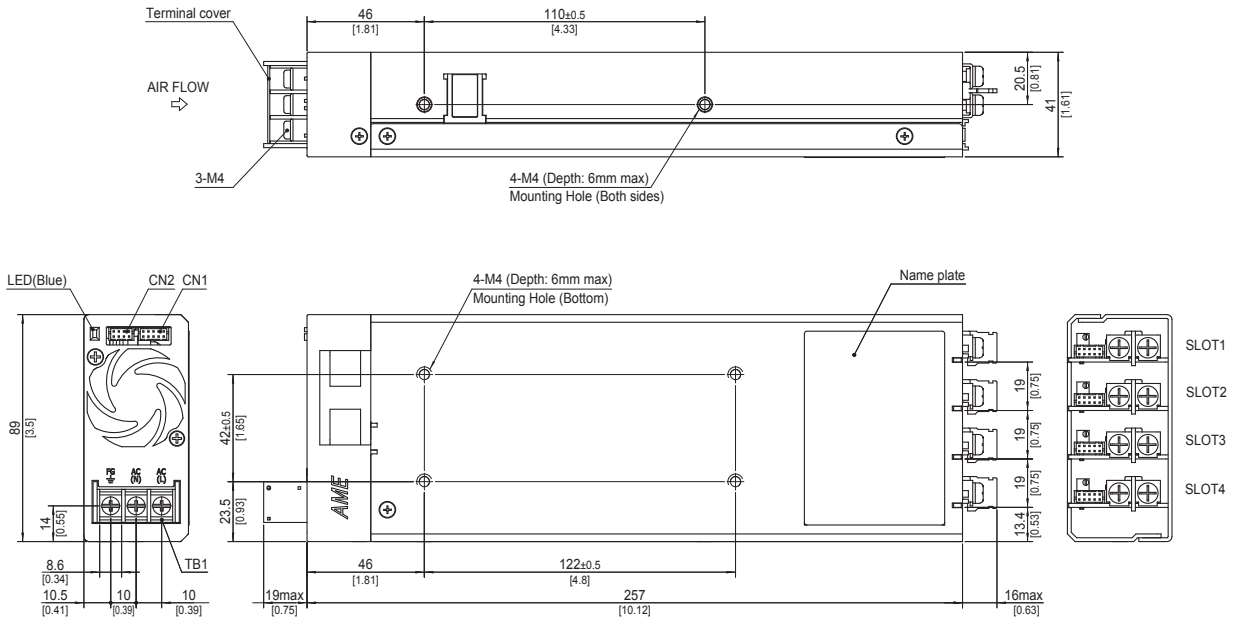
		120W suitable single output			
ITEM	CODE	A	B	C	D
Number of slots used		1	1	1	1
VOLTAGE [V]		+5	+12	+24	+48
MINIMUM CURRENT [A]		0	0	0	0
CURRENT [A]		12	8.5	5	2.5
LINE REGULATION [mV] max		20	48	96	192
LOAD REGULATION [mV] max		40	100	150	240
RIPPLE [mVp-p] max	0 to +50°C *1	150	150	250	400
	-20 to 0°C *1	200	200	300	450
RIPPLE NOISE [mVp-p] max	0 to +50°C *1	200	200	300	450
	-20 to 0°C *1	250	250	350	500
TEMPERATURE COEFFICIENT [mV] max	0 to +50°C	50	120	240	480
DRIFT [mV] max	*2	20	48	96	192
OUTPUT VOLTAGE SETTING [V]		5.00 to 5.15	12.00 to 12.48	24.00 to 24.96	48.00 to 49.92
OUTPUT VOLTAGE ADJUSTMENT RANGE [V]		4.0 to 6.0	9.6 to 14.4	19.2 to 28.8	38.4 to 57.6
OVERCURRENT PROTECTION [A]		Works over 105%min of rated current. Automatic recovery. Hiccup mode.			
OVERVOLTAGE PROTECTION [V]		6.5 to 7.8	15.0 to 18.6	30.0 to 37.2	60.0 to 74.4
FUNCTION		Remote ON/OFF (RC), Alarm (LV) DC_OK (LED: Blue)			

*1 Measured by 20MHz oscilloscope or Ripple-Noise meter (equivalent to KEISOKUGIKEN: RM103).
 *2 Drift is the change in DC output for an eight hours period after a half-hour warm-up at 25°C.

Block diagram



AME600F external view



※ Tolerance : ± 1 [± 0.04]

※ Weight : 1.2kg max

※ PCB Material/thickness : FR-4 / 1.6mm [0.06]

※ Chassis material : Aluminum

※ Fan cover Material : PBT

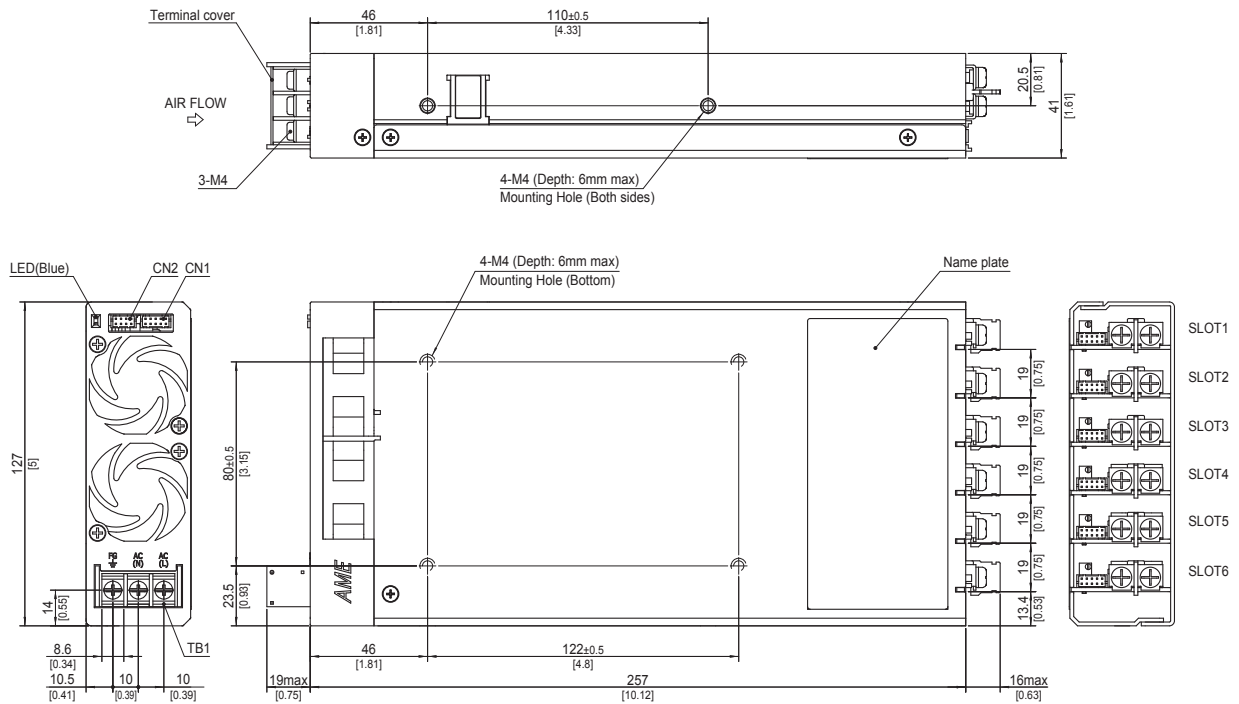
※ Dimensions in mm, [] = inches

※ Mounting torque M4 : 1.2N·m max

※ Input and output terminal screw tightening torque M4 : 1.6N·m max

※ Please connect safety ground to FG terminal on the unit.

AME1200F external view



※ Tolerance : ± 1 [± 0.04]

※ Weight : 1.8kg max

※ PCB Material/thickness : FR-4 / 1.6mm [0.06]

※ Chassis material : Aluminum

※ Fan cover Material : PBT

※ Dimensions in mm, [] = inches

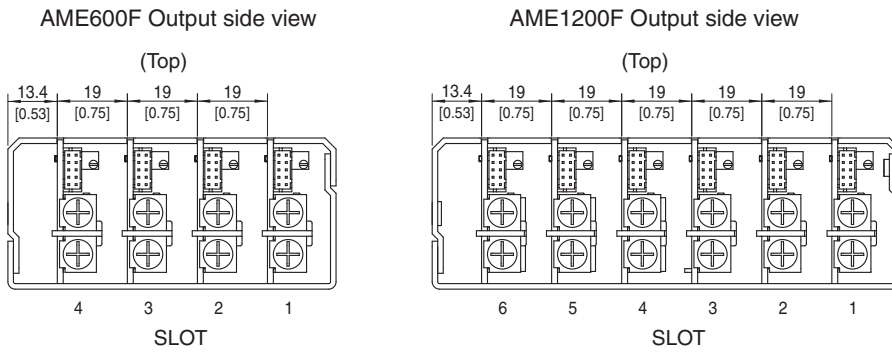
※ Mounting torque M4 : 1.2N·m max

※ Input and output terminal screw tightening torque M4 : 1.6N·m max

※ Please connect safety ground to FG terminal on the unit.

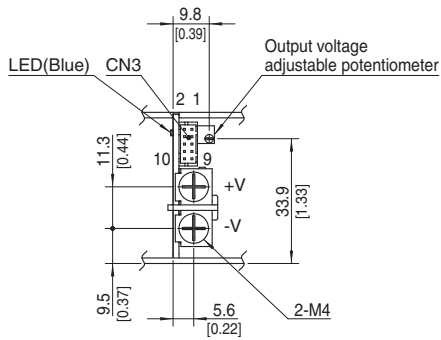
Output module and connector pin assign

1. Output side view



※Tolerance : ± 1 [± 0.04]
 ※Dimensions in mm, []=inches

2. Output module side view and connector pin assign



Module : A-D

※Tolerance : ± 1 [± 0.04]
 ※Dimensions in mm, []=inches