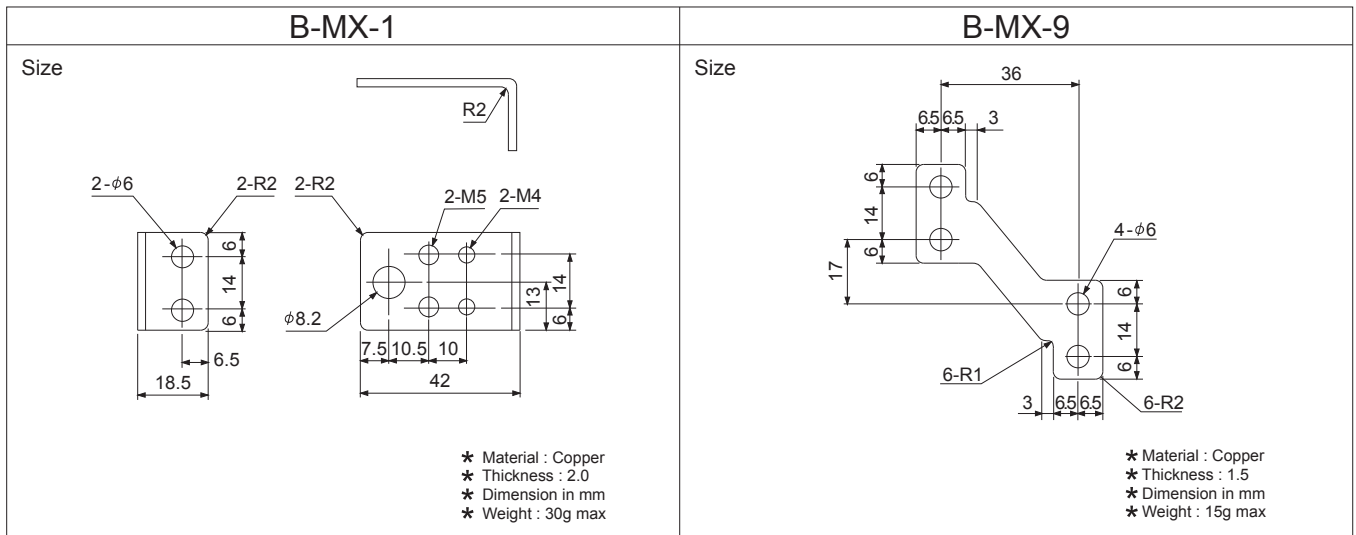


Terminal Attachment

Terminal attachment to facilitate two or more terminal connections to power supply output is prepared in PBA, MAX, ACE and AME series.

Type	Mating Model	Contents
B-MX-1	PBA600F MAX1600F MAX1600T MAX3200T	Terminal attachment to facilitate terminal connections to power supply output
B-MX-9	MAX1600F MAX1600T MAX3200T	Terminal attachment for series operation as output modules



- * It is necessary to install B-MX-1 on opposite direction to avoid short-circuit between + and - terminal block.
- * Please note the direction of the installation to prevent the short-circuit between the outputs when using B-MX-1 and B-MX-9 at the same time.
- * The cover of terminal block does not be attached to B-MX-1 with installation screw and solderless terminal occasionally.

Type	Mating Model	Contents
B-ACE-7	ACE series, AME series	Terminal attachment to facilitate faston terminal output modules
B-ACE-8	ACE series	Terminal attachment to facilitate wiring
B-ACE-9	ACE series	Terminal attachment for series operation as output modules

*These attachments cannot be used for module code S, T, U, Y, W, Z, 9, Q, and V in ACE series.
 *B-ACE-7 of the attachment cannot be used for module code R in AME series.

B-ACE-7	B-ACE-8
<p>Size</p> <p>Installation (TOP)</p> <ul style="list-style-type: none"> * Material : Copper * Thickness : 0.8 * Dimension in mm * Weight : 3g max 	<p>Size</p> <p>Installation (TOP)</p> <ul style="list-style-type: none"> * Material : Brass * Thickness : 1.0 * Dimension in mm * Weight : 3g max

* B-ACE-7: Recommended faston terminal #250. Quantity is 1 piece.

* B-ACE-8: Please be careful with that B-ACE-8 is not stressed in wiring. Quantity is a couple.

B-ACE-9

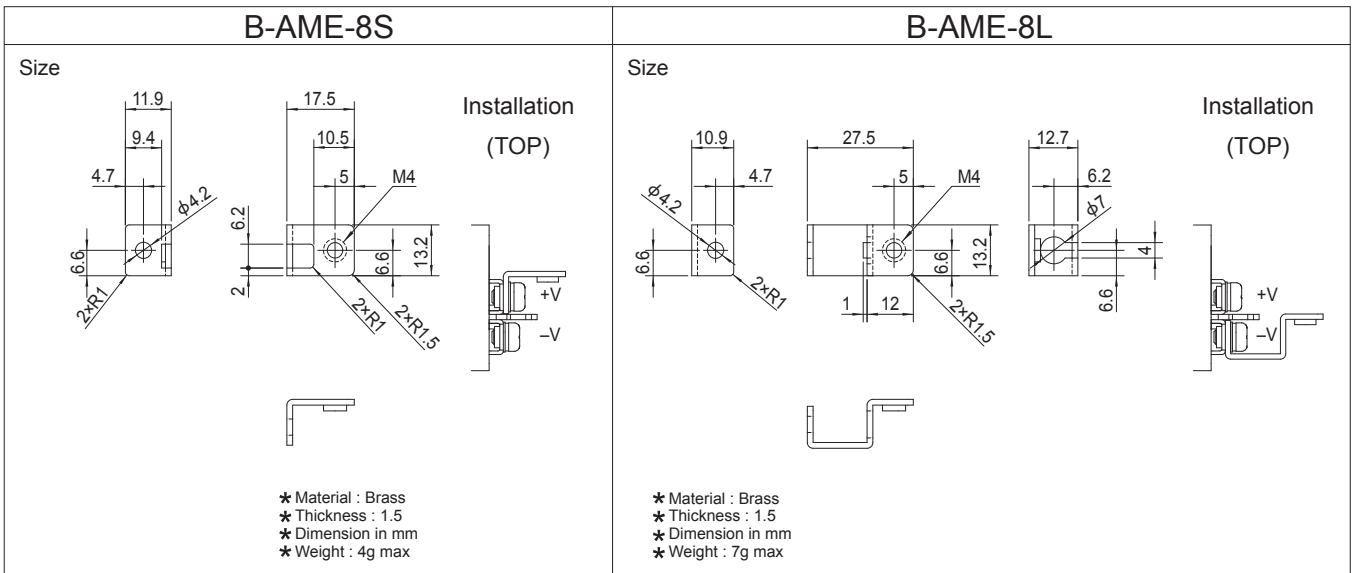
Size

Installation (TOP)

- * Material : Brass
- * Thickness : 1.0
- * Dimension in mm
- * Weight : 4g max

Type	Mating Model	Contents
B-AME-8S	AME series	Terminal attachment to facilitate wiring (+V).
B-AME-8L	AME series	Terminal attachment to facilitate wiring (-V).
B-AME-9	AME series	Terminal attachment for series operation as output modules

★ These attachments cannot be used for module code R.
 ★ B-ACE-7 of attachment can also be used.



★ B-AME-8S and B-AME-8L : Please be careful with that terminal attachment is not stressed in wiring.

