

Heat sink

Heat sink is prepared in TUNS50 series, CQHS300 series, CQHS350 series, DHS50 series and DHS100 series.

Chart: List of Heat sink for TUNS50 series, CQHS300 series, CQHS350 series, DHS50 series and DHS100 series

No	Model	Size [mm]			Thermal resistance [°C/W]		Style	Weight
		H	W	D	Convection (0.1m/s)	Forced Air		
1	F-QB-F1	12.7	58.4	37.6	14.0	Refer Fig.7	Horizontal	35g max
2	F-QB-F2	12.7	58.7	37.3			Vertical	40g max
3	F-QB-F3	25.4	58.4	37.6	7.5		Horizontal	50g max
4	F-QB-F4	25.4	58.7	37.3			Vertical	50g max
5	F-QB-F5	38.1	58.4	37.6	5.0		Horizontal	60g max
6	F-QB-F6	38.1	58.7	37.3			Vertical	60g max

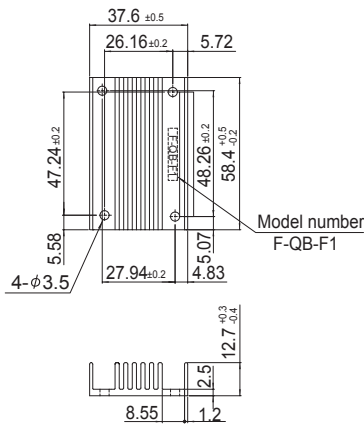


Fig.1 F-QB-F1 external view

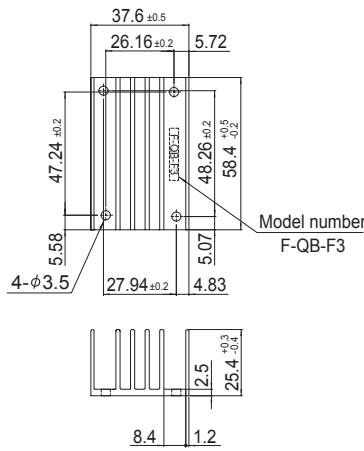


Fig.2 F-QB-F3 external view

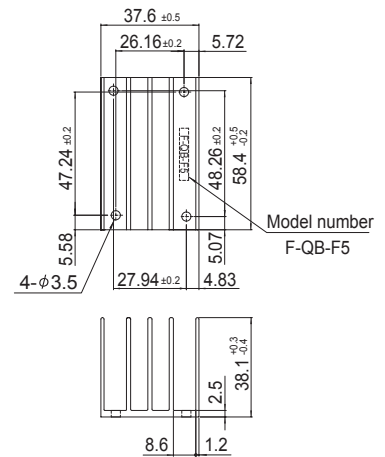


Fig.3 F-QB-F5 external view

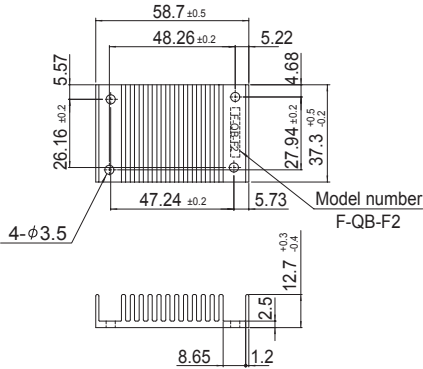


Fig.4 F-QB-F2 external view

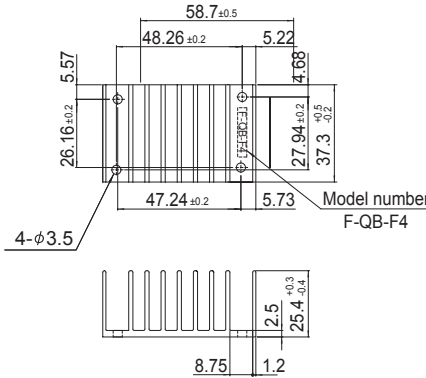


Fig.5 F-QB-F4 external view

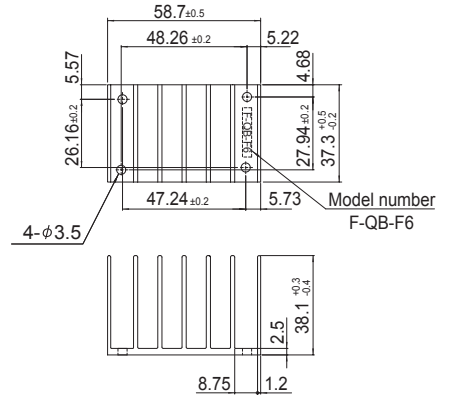


Fig.6 F-QB-F6 external view

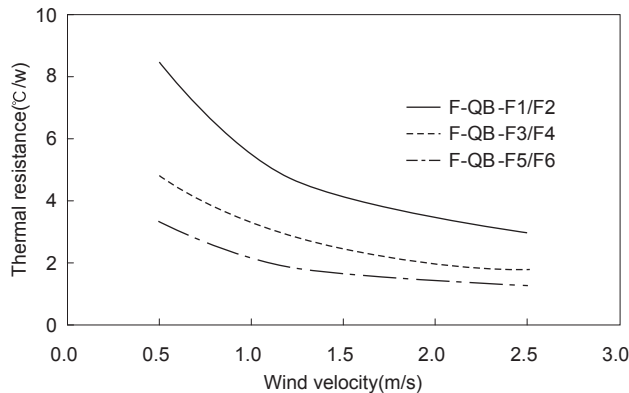


Fig.7 Thermal resistance of heat sink(Forced air)

Heat sink

Heat sink is prepared in TUNS100 series, CBS series, DHS200 series and DHS250 series.

Chart: List of Heat sink for TUNS100 series, CBS series, DHS200 series and DHS250 series

No	Model	Size [mm]			Thermal resistance [°C/W]		Style	Weight
		H	W	D	Convection (0.1m/s)	Forced Air		
1	F-CBS-F1	12.7	57.9	61.5	7.5	Refer Fig.7	Horizontal	70g max
2	F-CBS-F2	12.7	58.4	61.0			Vertical	70g max
3	F-CBS-F3	25.4	57.9	61.5	4.6		Horizontal	95g max
4	F-CBS-F4	25.4	58.4	61.0			Vertical	95g max
5	F-CBS-F5	38.1	57.9	61.5	3.0		Horizontal	120g max
6	F-CBS-F6	38.1	58.4	61.0			Vertical	100g max

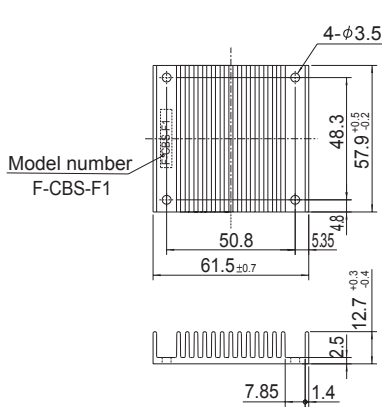


Fig.1 F-CBS-F1 external view

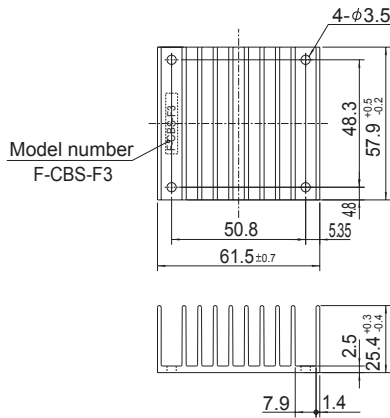


Fig.2 F-CBS-F3 external view

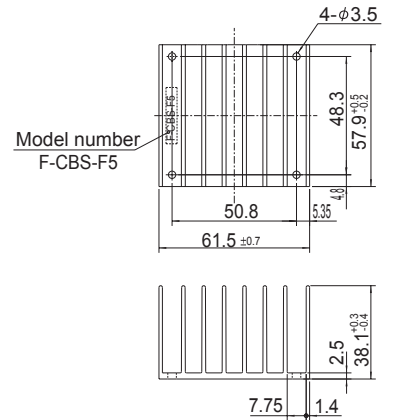


Fig.3 F-CBS-F5 external view

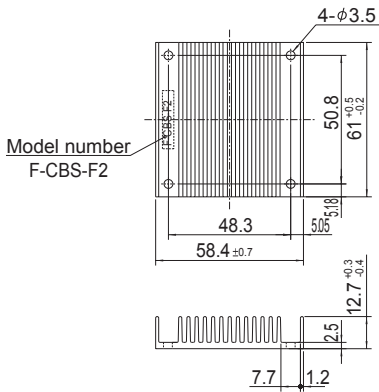


Fig.4 F-CBS-F2 external view

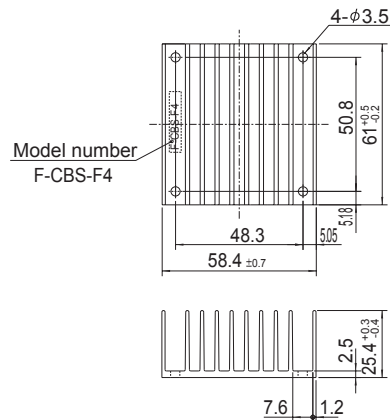


Fig.5 F-CBS-F4 external view

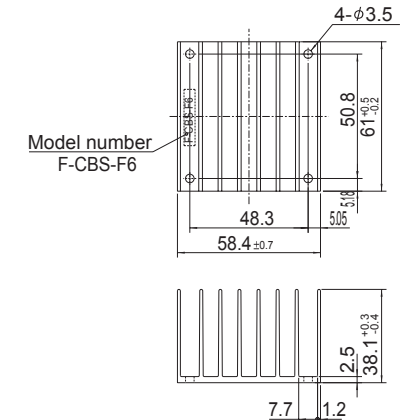


Fig.6 F-CBS-F6 external view

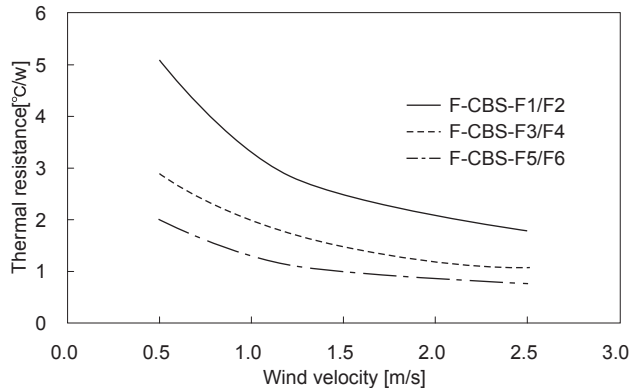


Fig.7 Thermal resistance of heat sink(Forced air)

Heat sink

Heat sink is prepared for HCA3500TF.

Table Heat sink for HCA3500TF

No	Model	Size	Thermal resistance [°C/W]	Weight
1	F-HCA-F1	Refer to Fig.1	Refer to Fig.2	2,100g max

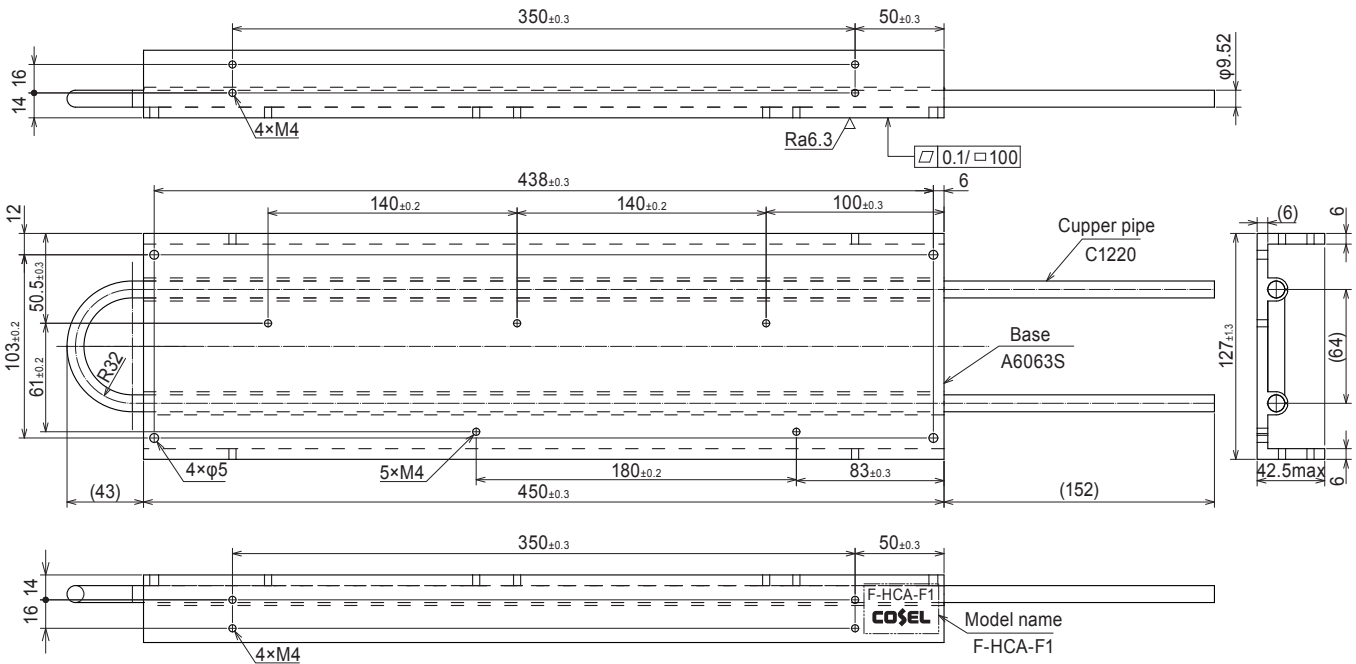


Fig.1 F-HCA-F1 External view

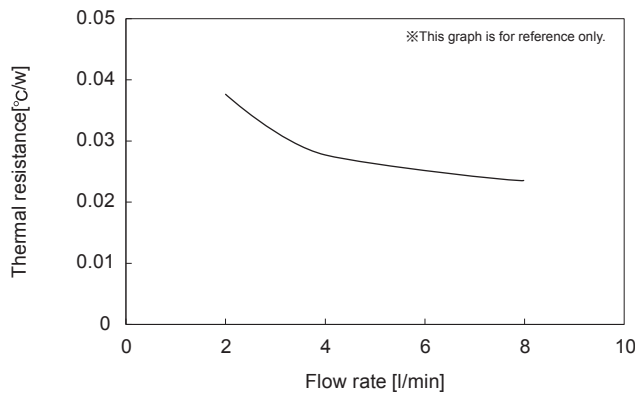


Fig.2 Thermal resistance of heat sink(Liquid cooling)